



US005719705A

United States Patent [19]

[11] Patent Number: **5,719,705**

Machol

[45] Date of Patent: **Feb. 17, 1998**

[54] ANTI-STATIC ANTI-REFLECTION COATING

[75] Inventor: **Steven N. Machol**, Sebastopol, Calif.

[73] Assignee: **Sola International, Inc.**, Menlo Park, Calif.

[21] Appl. No.: **487,365**

[22] Filed: **Jun. 7, 1995**

[51] Int. Cl.⁶ **G02B 1/10**

[52] U.S. Cl. **359/581; 359/582; 359/585; 427/164**

[58] Field of Search **359/581, 582, 359/585, 507; 351/62; 427/164**

[56] References Cited

U.S. PATENT DOCUMENTS

3,708,225	1/1973	Misch et al.	351/160
3,962,488	6/1976	Gillery	427/109
4,611,892	9/1986	Kawashima et al.	359/581
4,957,358	9/1990	Terada et al.	359/512
5,181,141	1/1993	Sato et al.	359/581
5,190,807	3/1993	Kimock et al.	428/216
5,362,552	11/1994	Austin	359/588
5,372,874	12/1994	Dickey et al.	428/216

5,508,135	4/1996	Lelental et al.	430/63
5,536,580	7/1996	Ikadai et al.	359/586
5,541,770	7/1996	Pellicori et al.	359/585
5,582,919	12/1996	Ikadai et al.	359/585

FOREIGN PATENT DOCUMENTS

0203730	12/1986	European Pat. Off.	359/581
53-28214	8/1978	Japan	G02B 1/10
A 62-244001	10/1987	Japan	359/581

Primary Examiner—Paul M. Dzierzynski

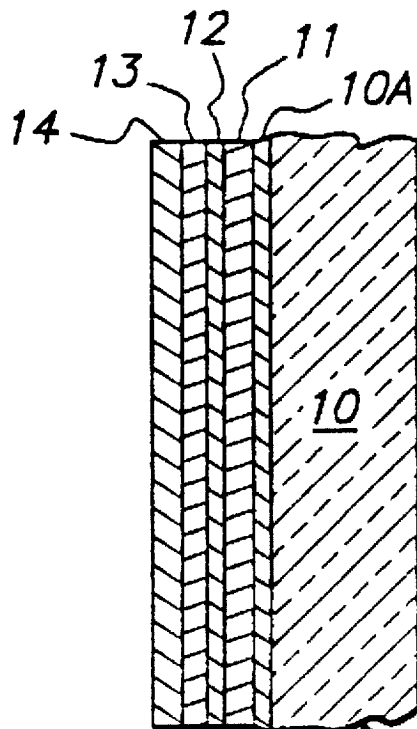
Assistant Examiner—John Juba, Jr.

Attorney, Agent, or Firm—Burns, Doane, Swecker & Mathis, L.L.P.

[57] ABSTRACT

An anti-reflection coating that is soil resistant and easy to maintain is provided. The coating includes a multilayer film having alternating layers of high and low refractive index materials that comprise electrically conductive metal oxides. The film is formed by reacting metal with non-stoichiometric amounts of oxygen such that the coating has one or more layers of electrically conductive metal oxide material. The coating is particularly suited for ophthalmic applications.

47 Claims, 2 Drawing Sheets



**TRANSPARENT
SUBSTRATE**